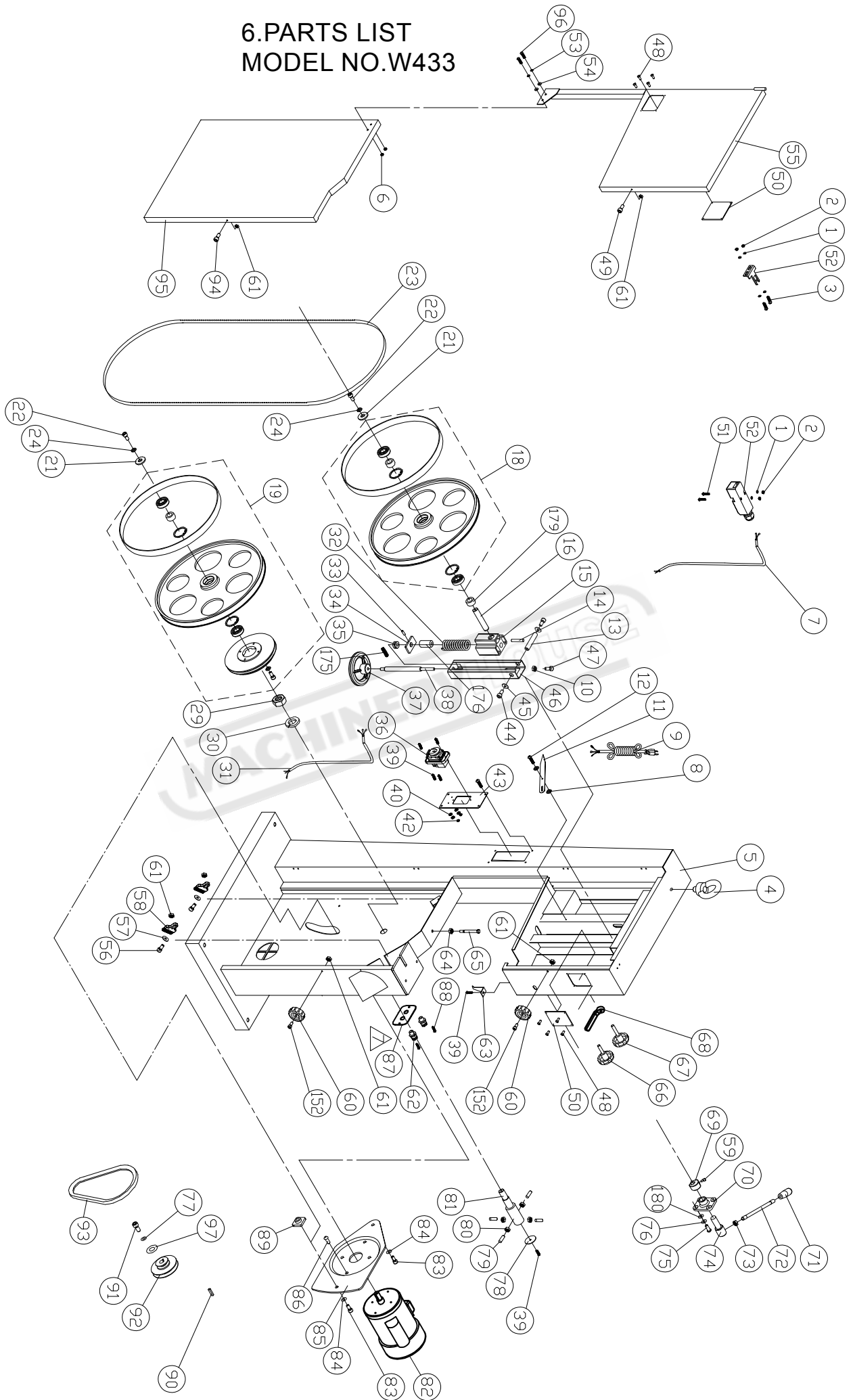
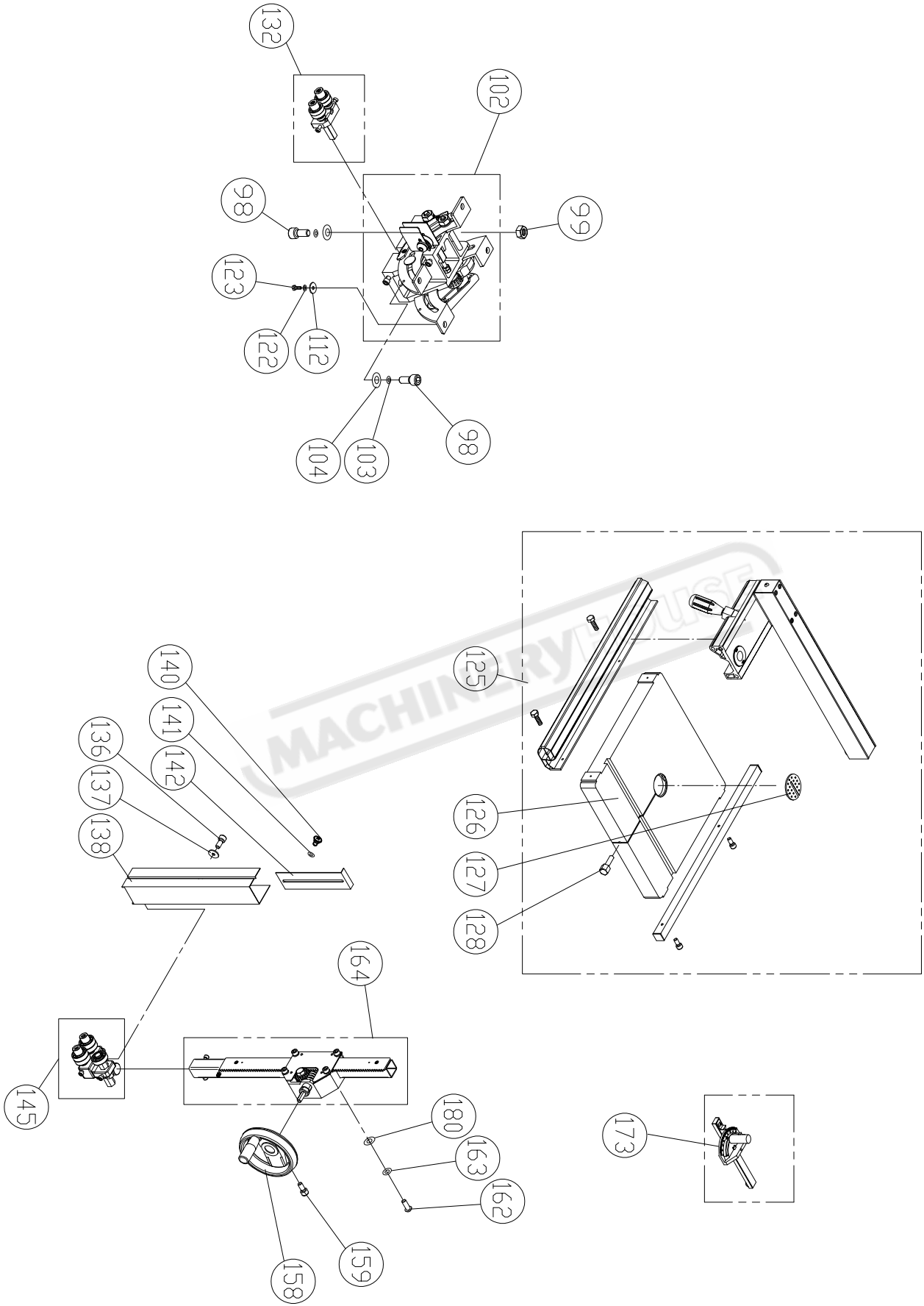


# 6.PARTS LIST MODEL NO.W433





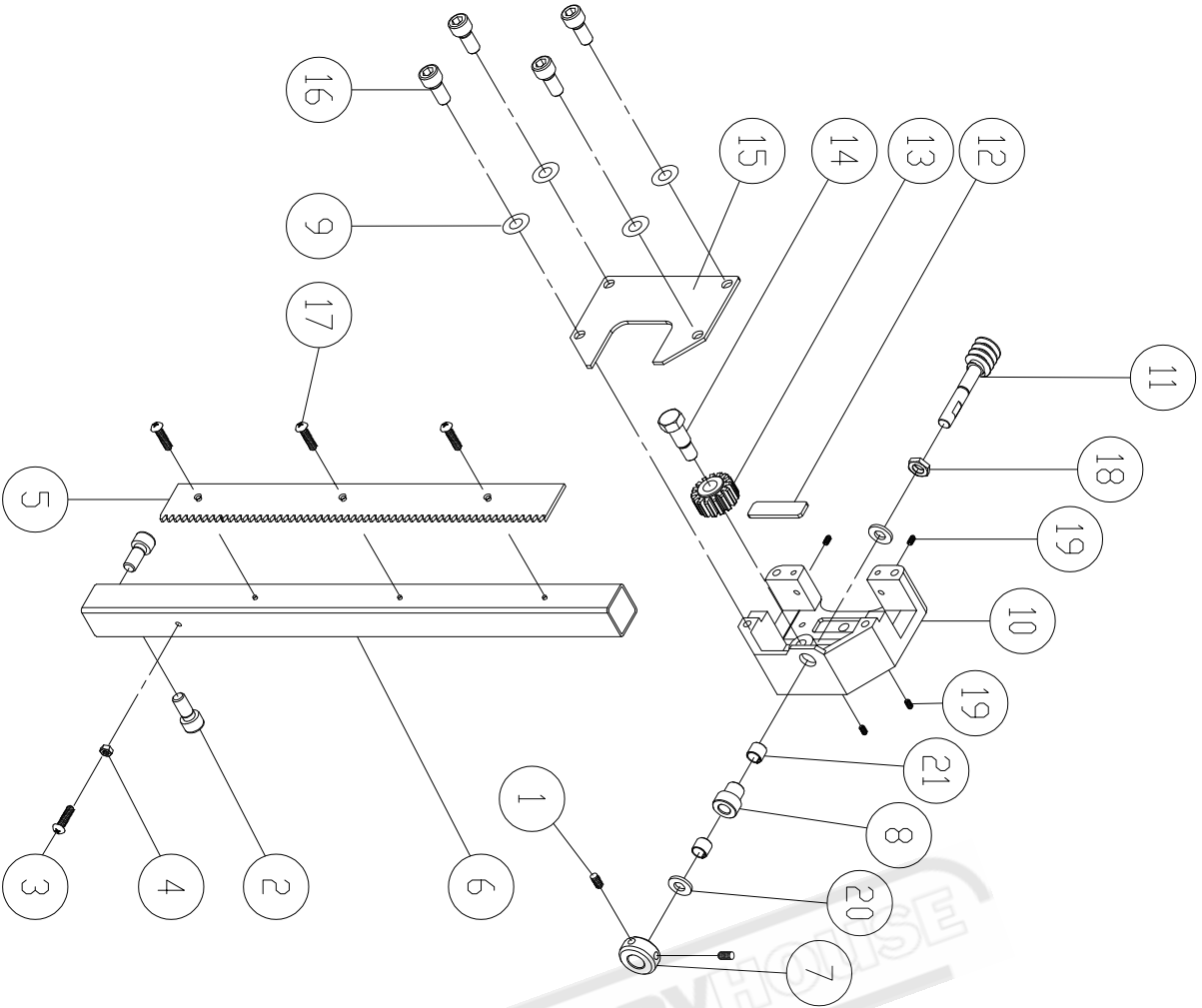
ITEM	PART NO	DESCRIPTION	SIZE	Q'TY
1	WF040808	FLAT WASHER	M4x $\psi$ 8	6
2	NH040700	NUT	M4	4
3	SP040200	PAN HEAD SCREW	M4x8	2
4	995101	RING	M10	1
5	136161	MACHINE BODY		1
6	NF050800	NUT	M5	2
7	IC135042	SWITCH CORD		1
8	WF061310	FLAT WASHER	M6x $\psi$ 13	2
9	IC135001	POWER CORD	3P+G	1
10	NH061000	NUT	M6	1
11	135040	POINTER		1
12	135073	STEP SCREW		1
13	135012	UPPER SHAFT		1
14	PS053500	SPRING PIN	$\psi$ 5x35	1
15	135017	UPPER WHEEL SHAFT HINGE		1
16	135066	UPPER WHEEL SHAFT		1
19	AB135116T	UPPER WHEEL	$\psi$ 17"	1
21	WF083030	FLAT WASHER	M8x $\psi$ 30	2
22	SR089400	HEX SOCKET BOLT	M8x16	2
23	135075	SAW BLADE	132"/3352.8 $\pm$ 4.2x1/2"x0.5mm	1
24	WS080000	SPRING WASHER	M8	2
27	AB135119T	LOWER WHEEL	$\psi$ 17"	1
29	NH633801	NUT	1"-14 UNF	1
30	WS630000	SPRING WASHER	1"	1
31	IM135001	MOTOR CORD		1
32	135032	SPRING		1
33	PS031600	SPRING PIN	$\psi$ 3x16	1
34	135042	LOCATE BLOCK		1
35	994301	BEARING	51201	1
36	170245	CE SWITCH	KJD-11-11D(JD3)	1

ITEM	PART NO	DESCRIPTION	SIZE	Q'TY
37	135002	HANDLE WHEEL		1
38	135003	ADJUSTING BOLT		1
39	SF050200	PAN HEAD BOLT W/FLANGE	M5x10	10
40	WE050000	STAR WASHER	M5	4
41	NH040700	NUT	M4	2
42	NH050900	NUT	M5	4
43	135070	SWITCH PLATE		1
44	SR089400	HEX SOCKET BOLT	M8x16	2
45	WF083030	FLAT WASHER	M8x $\psi$ 30	2
46	135016	UPPER WHEEL SLIDING BRACKET		1
47	SR060500	HEX SOCKET BOLT	M6x25	1
48	BR000044	RIVET	$\psi$ 3.2x10	8
49	SR060200	HEX SOCKET BOLT	M6x10	1
50	135004	LIMPID PIECE		2
51	SF040700	PAN HEAD BOLT W/FLANGE	M4x35	2
52	136475	DOOR LATCH SWITCH(ASM)	AZD-S11	1
53	WS050000	SPRING WASHER	M5	2
54	WF051210	FLAT WASHER	M5x $\psi$ 12	2
55	136164	UPPER WHEEL COVER		1
56	SH060500	HEX HEAD BOLT	M6x25	2
57	WF061310	FLAT WASHER	M6x $\psi$ 13	2
58	135051	BRUSH		2
59	SR060500	HEX SOCKET BOLT	M6x25	1
60	135041	KNOB		2
61	NL061000	NYLON NUT	M6	6
62	709416	STRAIN RELIEF	M16	2
63	135011	HEIGHT POINTER		1
64	NH081300	NUT	M8	1
65	SH081800	HEX HEAD BOLT	M8x90	1
66	135022	KNOB SCREW	M10x20	1

ITEM	PART NO	DESCRIPTION	SIZE	Q'TY
67	135020	KNOB SCREW	M10x53	1
68	135028	LOCATE HANDLE	M10	1
69	135030	CAM		1
70	135038	LOCATE BLOCK		1
71	620021	KNOB		1
72	620020	LEVER ROD		1
73	NH121900	NUT	M12	1
74	135036	SHAFT		1
75	SJ080400	HEX SOCKET BOTTOM HEAD SCREW	M8x20	4
76	WS080000	SPRING WASHER	M8	4
77	WS080000	SPRING WASHER	M8	1
78	135013	COVER		1
79	SS080400	SET BOLT	M8x20	4
80	NH081300	NUT	M8	4
81	135005	LOWER WHEEL SHAFT		1
82	MH135001	MOTOR	1 HP	1
83	SR100500	HEX SOCKET BOLT	M10x25	2
84	WS100000	SPRING WASHER	M10	2
85	135064	MOTOR BRACKET		1
86	SJ080400	HEX SOCKET BOTTOM HEAD SCREW	M8x20	4
87	135056	PLATE		1
88	SF050200	PAN HEAD BOLT W/FLANGE	M5x10	2
89	135065	LOCATE BLOCK		1
90	KS050535	KEY	5x5x35	1
91	SH080402	HEX HEAD BOLT	M8x20(L.H)	1
92	135008	MOTOR PULLEY		1
93	LA420000	V-BELT	A42	1
94	SR060200	HEX SOCKET BOLT	M6x10	1
95	136165	LOWER WHEEL COVER		1
96	SJ059400	HEX SOCKET BOTTOM HEAD SCREW	M5x16	2

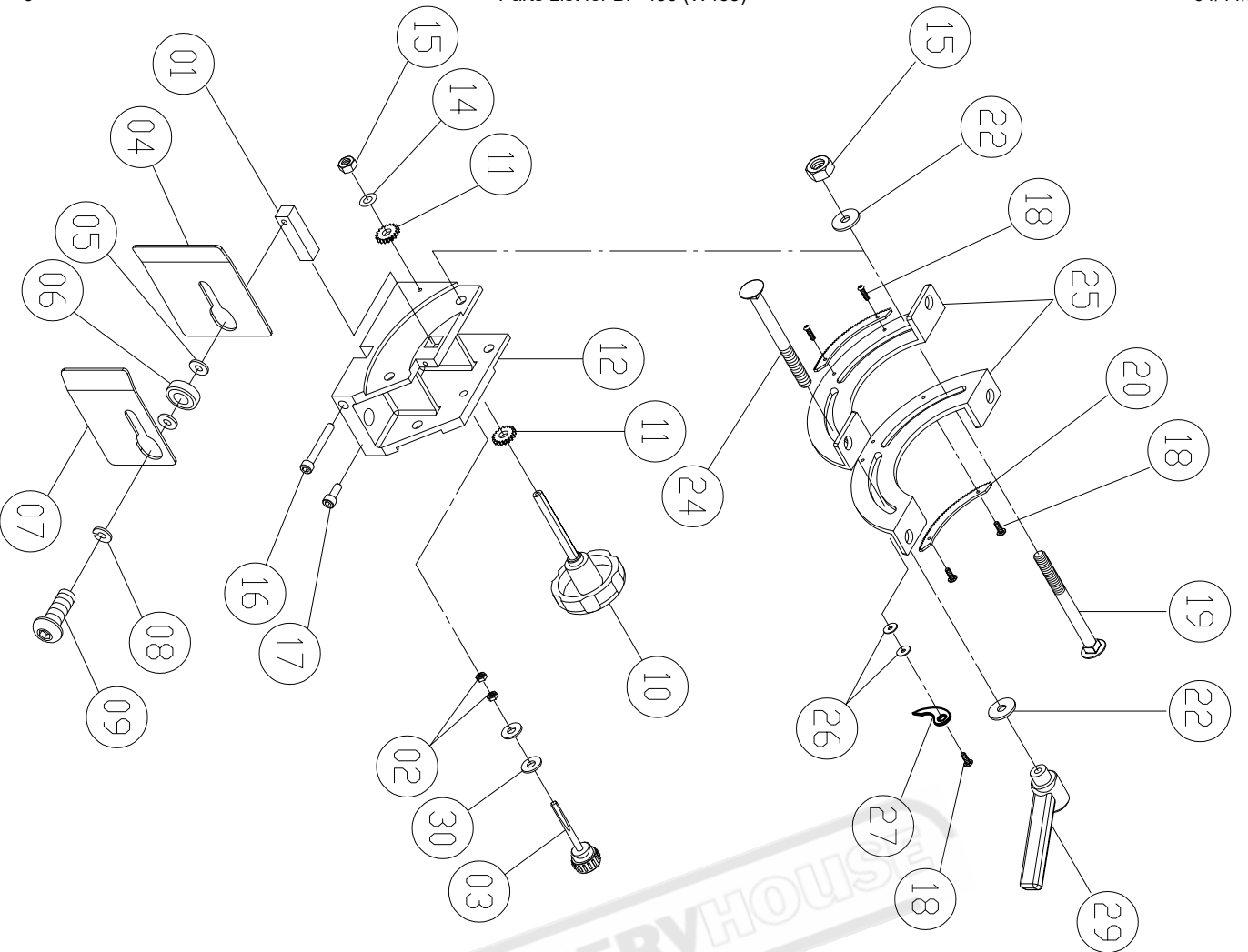
ITEM	PART NO	DESCRIPTION	SIZE	Q`TY
97	WF083030	FLAT WASHER	M8x30	1
98	SR100700	HEX SOCKET BOLT	M10x35	2
99	NH101700	NUT	M10	1
102	AB135021C	TRUNNION SUPPORT BRACKET(ASM)		1
103	WS100000	SPRING WASHER	M10	2
104	WF102325	FLAT WASHER	M10x $\psi$ 23	2
112	WF081820	FLAT WASHER	M8x $\psi$ 18	4
122	WS080000	SPRING WASHER	M8	4
123	SH089400	HEX HEAD BOLT	M8x16	4
125	AB198002	17" FENCE SET		1
126	135019	TABLE	17"x17"	1
127	135010	TABLE INSERT		1
128	100038	TABLE PIN		1
132	AB135095A	LOWER BLADE GUIDE SUPPORT(ASM)		1
135	135035	RIGHT COVER		1
136	SR050200	HEX SOCKET BOLT	M5x10	2
137	WF051210	FLAT WASHER	M5x $\psi$ 12	2
138	135034	PROTECT COVER(ASM)		1
140	135073	STEP SCREW		1
141	135054	FIBER WASHER	$\psi$ 13x6x1.2	1
142	135037	SLIDING PLATE		1
145	AB135092	UPPER BLADE GUIDE SUPPORT(ASM)		1
152	SR060400	HEX SOCKET BOLT	M6x20	2
158	135006	HANDLE WHEEL		1
159	SR060400	HEX SOCKET BOLT	M6x20	1
162	SJ080400	HEX SOCKET BOTOM HEAD SCREW	M8x20	4
163	WS080000	SPRING WASHER	M8	4
164	AB135050	GUIDE BRACKET(ASM)		1
173	AB198101	MITER GAUGE ASS'Y		1
175	SS069300	SET SCREW	M6x10	1





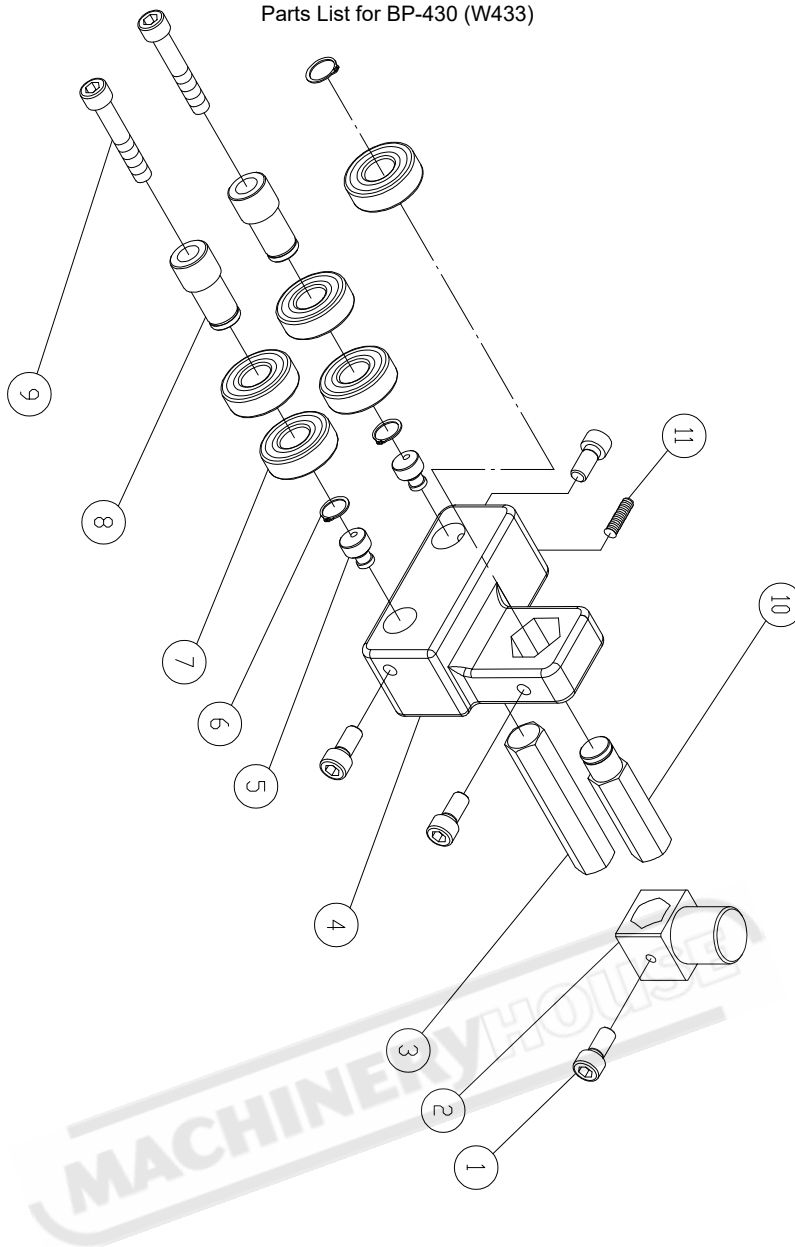
MODEL NO.:W433  
 PART NO.:AB135050 GUIDE BRACKET(ASM)

Item	Part No	Description	Size	Qty
21	BD101201	BUSHING BEARING	DU 10X12	2
20	200069	FIBER WASHER		2
19	990306	SET BOLT	M7X10	4
18	136473	NUT	M16XP1.5	1
17	SN049200	COUNTER SUNK BOLT	M4X8	3
16	SR089400	HEX SOCKET BOLT	M8X16	4
15	135046	COVER		1
14	016320	FIXED BOLT		1
13	135049	GEAR		1
12	135062	FIXED PLATE		1
11	135033	WDRM CYLINDER		1
10	135050	GUIDE BRACKET		1
09	WS080000	SPRING WASHER	M8	4
08	136453	BUSHING		1
07	135015	LOCATE BUSHING		1
06	135047	UPPER GUIDE HOSE		1
05	135029	RACK		1
04	NH040700	NUT	M4	1
03	SP040200	PAN HEAD BOLT	M4X10	1
02	SR069400	HEX SOCKET BOLT	M6X16	2
01	SS050100	SET BOLT	M5X5	2



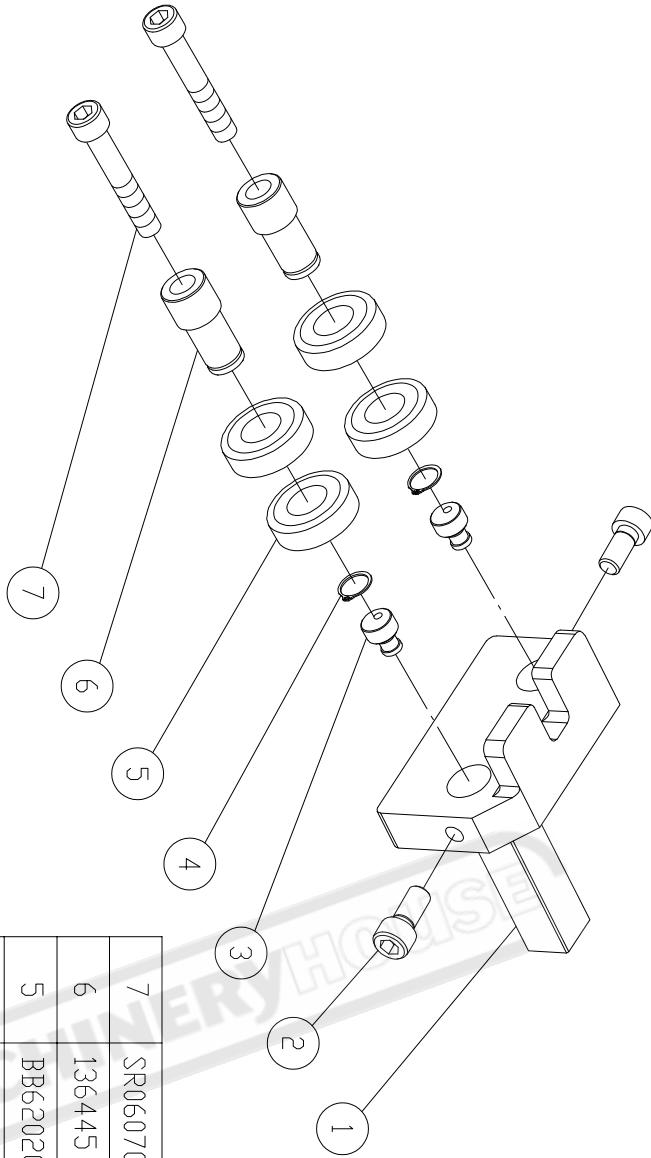
**MODEL NO.:W433**  
**PART NO.:AB135021-C TRUNNION SUPPORT BRACKET(ASM)**

Item	Part ID	Description	Size	Qty
30	WF061310	FLAT WASHER	M6xØ13	2
29	135044	HANDLE		1
27	135078	POINTER		1
26	WF040808	FLAT WASHER	M4xØ8	2
25	135025	TRUNNION PLATE		2
24	SC081700	CARRIAGE BOLT	M8x85	1
22	WF081820	FLAT WASHER	M8xØ18	2
20	135052	GEAR PLATE		2
19	SC081600	CARRIAGE BOLT	M8x80	1
18	SP049100	PAN HEAD BOLT	M4x6	5
17	SR060400	HEX SOCKET BOLT	M6x20	1
16	SR061000	HEX SOCKET BOLT	M6x50	1
15	NL081300	NYLON NUT	M8	2
14	WS080000	SPRING WASHER	M8	1
12	135021	TRUNNION SUPPORT BRACKET		1
11	135061	SMALL GEAR		2
10	135063	KNDB SCREW		1
09	SJ100500	HEX SOCKET BOTTOM HEAD SCREW	M10x25	1
08	WS100000	SPRING WASHER	M10	1
07	135123	RIGHT COVER		1
06	BB60002A	BALL BEARING	60002Z	1
05	WF102005	FLAT WASHER	M10xØ20	2
04	135122	LEFT COVER		1
03	135009	ADJUST BOLT	M6	1
02	NH061000	NUT	M6	2
01	135045	ADJUST BLOCK		1



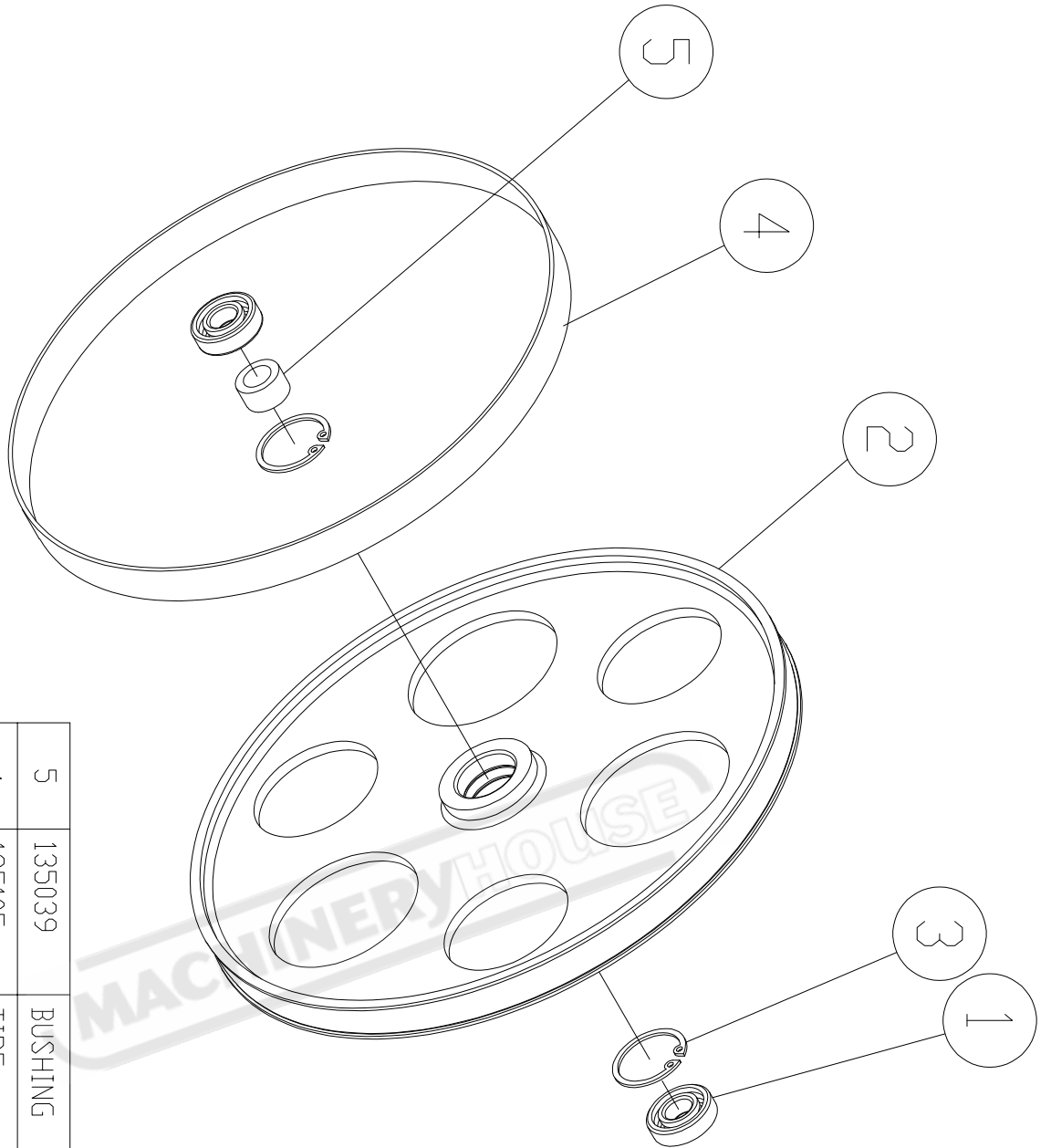
**MODEL NO.:W433**  
**PART NO.:AB135092**  
**UPPER BLADE GUIDE SUPPORT (ASM)**

Item	Part ID	Description	Size	Qty
1	SR069400	HEX SOCKET BOLT	M6x16	4
2	135057	UPPER GUIDE SUPPORT BLOCK		1
3	135053	ADJUST BAR		1
4	135091	UPPER BLADE GUIDE SUPPORT		1
5	135124	BIAS SHAFT		2
6	RS150000	RING	S15	3
7	BB620202A	BALL BEARING	6202ZZ	5
8	136445	HANDLE BUSHING		2
9	SR060703	HEX SOCKET BOLT	M6x35	2
10	135060	UPPER SPACING SLEEVE		1
11	SS060200	SET BOLT	M6x10	1



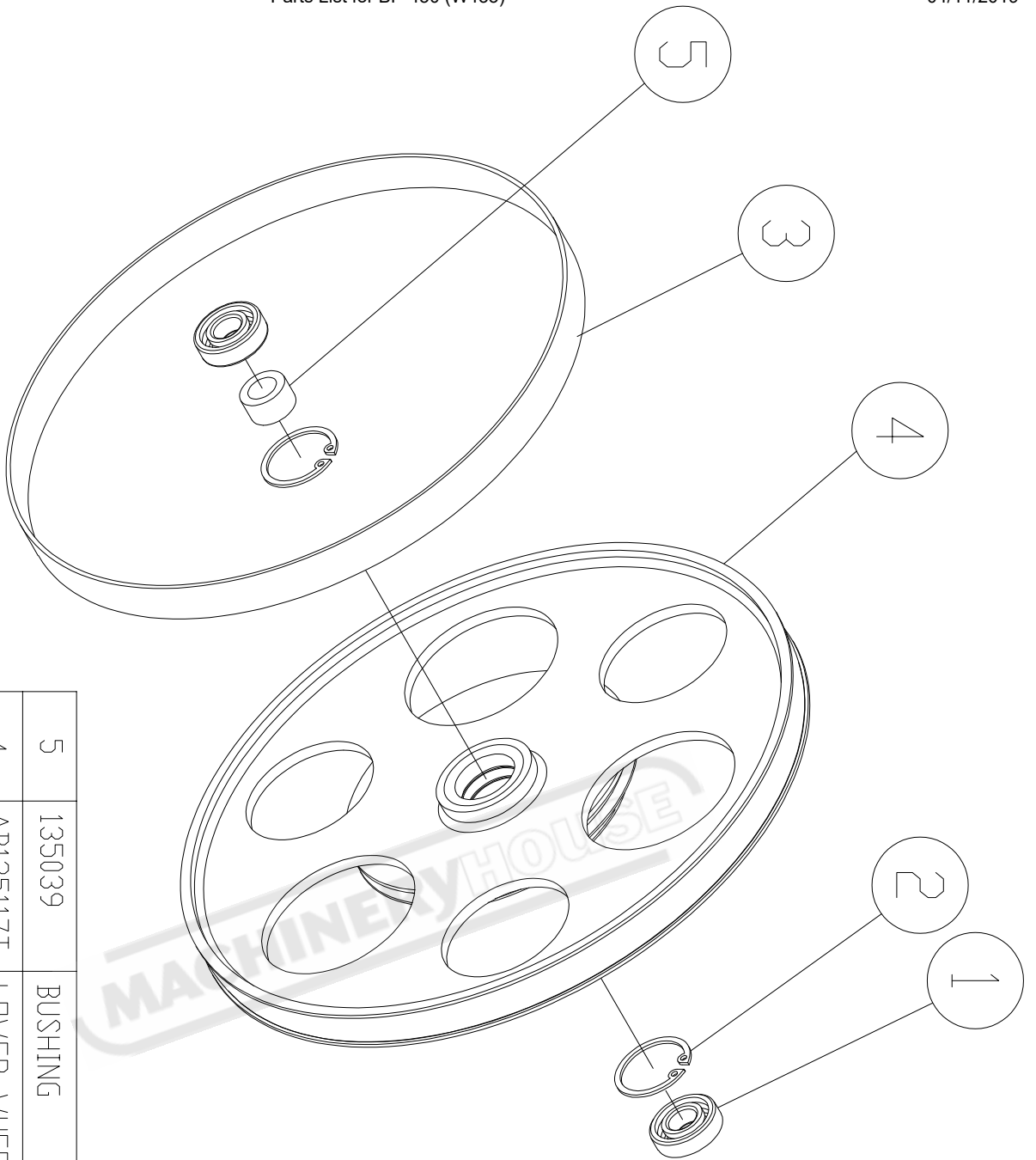
**MODEL NO.:W433**  
**PART NO.:AB135095A**  
**LOWER BLADE GUIDE SUPPORT (ASM)**

Item	Part NO	Description	Size	Qty
7	SR060700	HEX SOCKET BOLT	M6x35	2
6	136445	HANDLE BUSHING		2
5	BB620202A	BALL BEARING	6202ZZ	4
4	RS150000	RETAINING RING	S15	2
3	135124	BIAS SHAFT		2
2	SR069400	HEX SOCKET BOLT	M6x16	2
1	135125	LOWER BLADE GUIDE SUPPORT		1



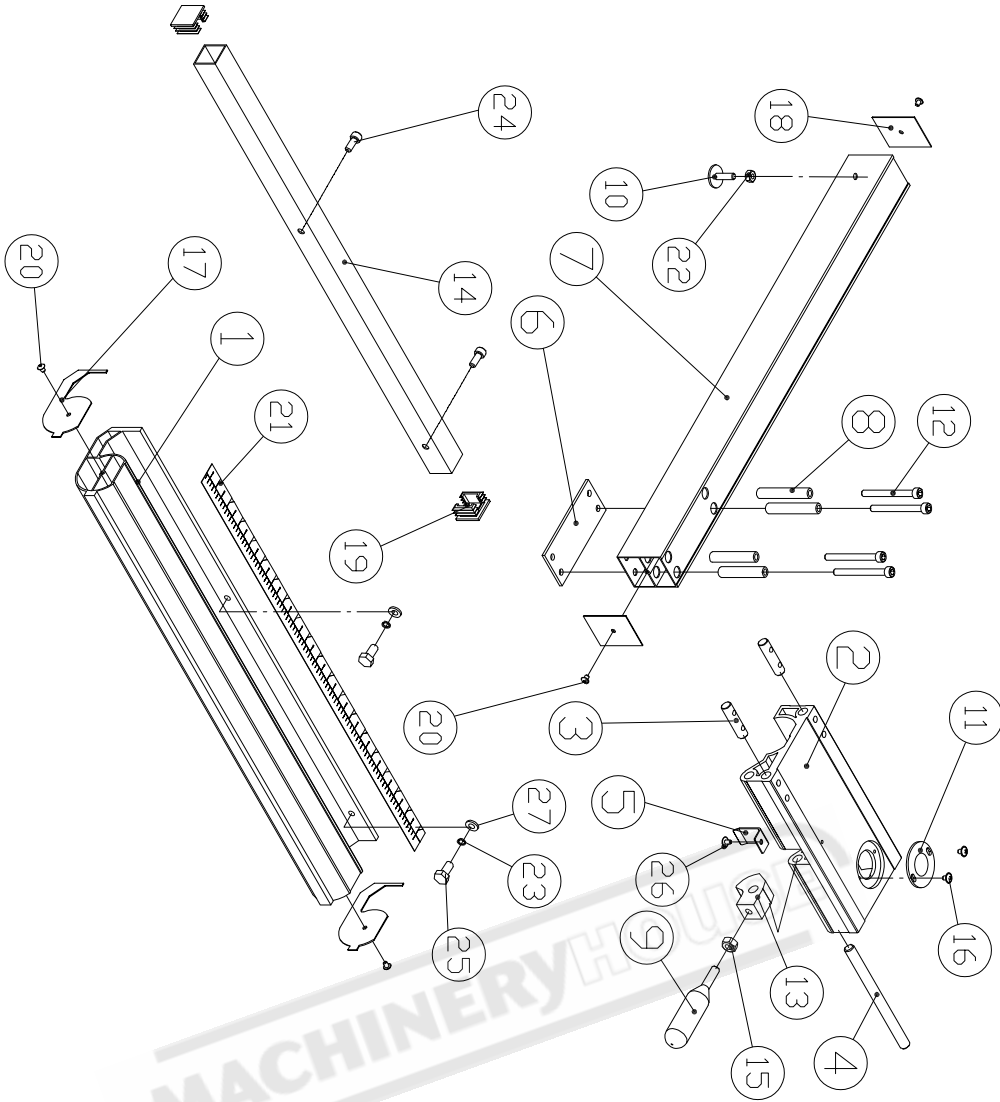
MODEL NO.:W433  
 PART NO.:AB135116T  
 UPPER WHEEL (ASM)

Item	Part NO	Description	Size	Q'ty
5	135039	BUSHING		1
4	135105	TIRE		1
3	RR470000	RETAINING RING	R47	2
2	135116T	UPPER WHEEL		1
1	BB620403	BALL BEARING	6204LLU	2



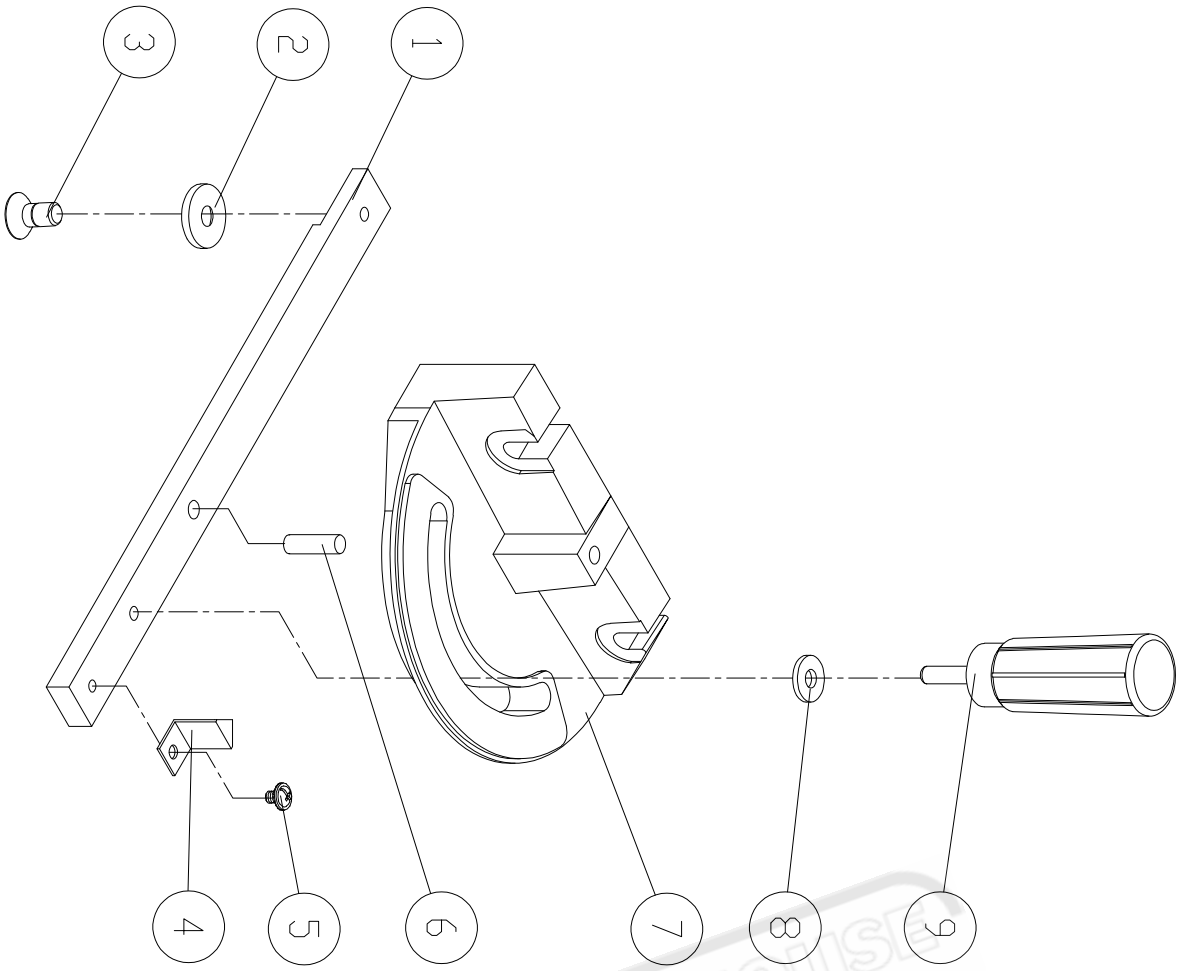
MODEL NO.:W433  
 PART NO.:AB135119T  
 LOWER WHEEL (ASM)

Item	Part NO	Description	Size	Qty
5	135039	BUSHING		1
4	AB135117T	LOWER WHEEL ASM		1
3	135105	TIRE		1
2	RR470000	RETAINING RING	R47	2
1	BB620403	BALL BEARING	6204LLU	2



**MODEL NO. W433**  
**PART NO: AB198002**  
**FENCE SET**

Item	Part NO	Description	Size	Qty
27	W/F061310	FLAT WASHER	M6x13	2
26	SF049200	PAN HEAD BOLR W/FLANGE	M4x8	1
25	SH060400	HEX HEAD BOLT	M6x20	2
24	SR069400	HEX SOCKET BOLT	M6x16	2
23	W/S060000	SPRING WASHER	M6	2
22	NH061000	NUT	M6	1
21	LM000539	SCALE		1
20	ST039300	TAPPING SCREW	M3.5x12	4
19	198016	PLUGGED		2
18	198015	GUARD PIECE		2
17	198014	GUARD PIECE		2
16	SF049100	PAN HEAD BOLR W/FLANGE	M4x6	2
15	NH081300	NUT	M8	1
14	198020	SQUARE TUBE	640	1
13	198004	FIXED LUMP		1
12	SR061203	HEX SOCKET BOLT	M6x60	4
11	198007	CONVEX		1
10	198012	ADJUST SCREW		1
09	198013	HANDLE		1
08	198010	INTERVAL SHEATH		4
07	198019	SUPPORT TUBE	590	1
06	198008	BRACKET	T=3	1
05	198006	SPRING WASHER		1
04	198005	SHAFT		1
03	198003	FIXED SHAFT		2
02	198002	ADJUST BASE		1
01	198018	FIXED BASE	640	1



Item	Part NO	Description	Size	Qty
09	198105	HANDLE		1
08	198104	NYLON WASHER		1
07	198106	MITER GAUGE BODY		1
06	198107	STEEL PIN	ø6.5x10	1
05	SF059200	PAN HEAD BOLT W/FLANGE	M5x8	1
04	198103	POINTER		1
03	SN069200	COUNTER SUNK BOLT	M6x6	1
02	198102	GUIDE PIECE		1
01	198101	GUIDE BAR		1

MODEL NO.:W433  
 PART NO.:AB198101  
 MITER GAUGE ASS'Y